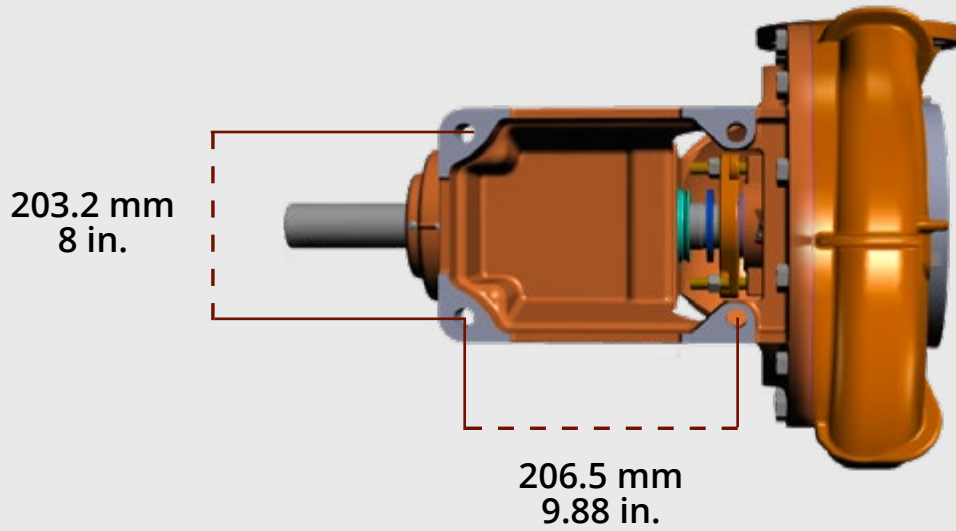


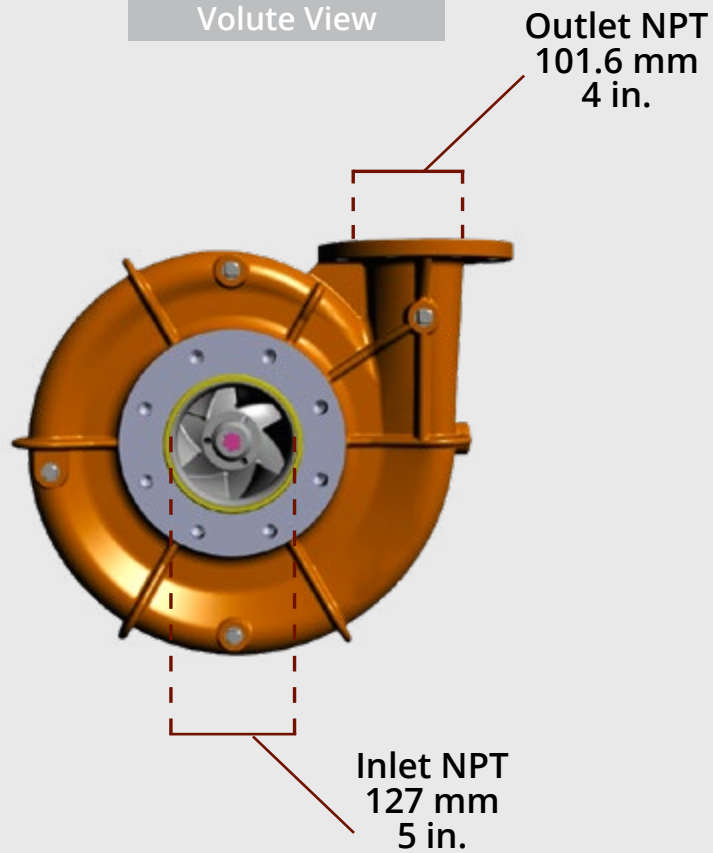
B-4J Basic Dimensions

Please contact Parts Sales at 1-800-345-8889
for more dimensional information on our B-4J water pump.

Footprint/ Bottom



Volute View



B-4J Berkeley Pump Performance Curve



B-4J Splined Shaft, CW
Applies to the following B-4J water pumps:
304755, 305046, 301908, 304742



B-4J Keyed Shaft, CW
301104

Dia. 13.50"

Nominal RPM: **VARIOUS**
Based on Fresh Water @ 68°F (20°C)
Maximum Working Pressure: 266 PSI (18 BAR)

